



Downhole Rotatable Connector

Amphenol® Oil & Gas Technologies now offers Downhole Rotatable (DHR) Connector series. We have radically redesigned these products to reduce failure points and increase reliability. Fully compatible with existing housings and mountings of industry standard Rotary Connectors, these connectors offer high temperature sealed connections standard in the downhole industry.

Amphenol's DHR Connector is made from high temperature Bakelite plastics with gold-plated BeCu contact bands. Our patent-pending process enables the creation of 1-piece contacts, from the ring- through the back end, of each connector. These solid connectors have eliminated solder and laser- weld failure points within the connector, and have increased the strength and life of such connectors.

Features:

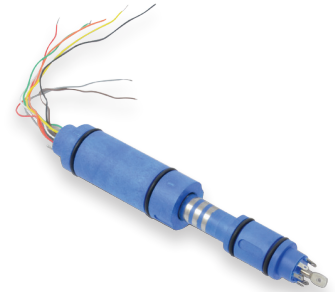
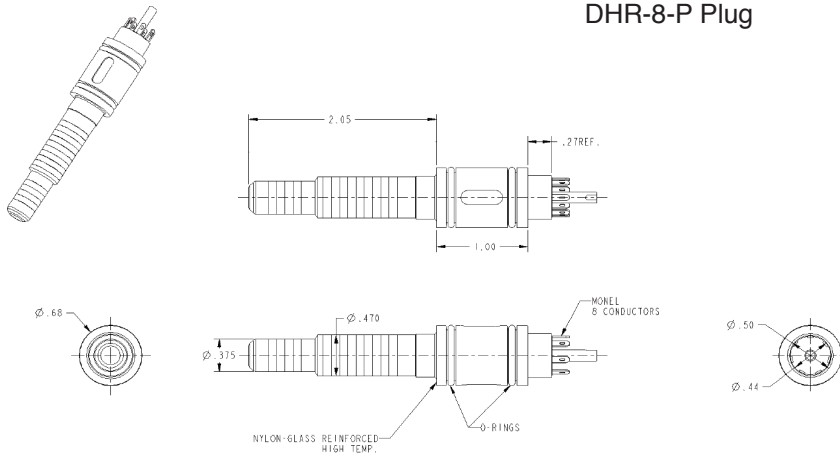
- High Temperature: 200°C
- High Temperature Bakelite Plastics insulation material
- Fully compatible with major competitor products in the industry
- Tabbed connections capable of carrying up to 5 amps per contact
- 8 Contacts Currently Available; 4, 6, 7, 10, etc. coming soon



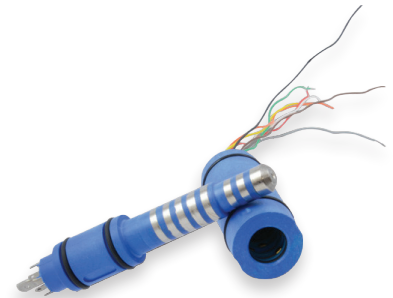
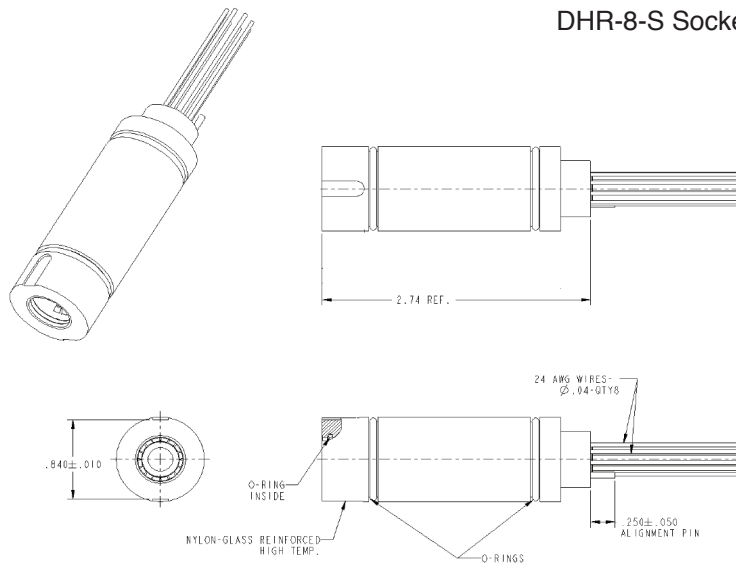
Technical Data

Temperature	200° C (392° F)
Current per contact	2-5 A
Material of connector	Injection Molded, Bakelite plastic insulation; BeCu contacts
Contact bands thickness	50 micron gold-plated contact bands

DHR-8-P Plug



DHR-8-S Socket



Notice: Specifications are subject to change without notice. Contact your nearest Amphenol Corporation Sales Office for the latest specifications. All statements, information and data given herein are believed to be accurate and reliable but are presented without guarantee, warranty, or responsibility of any kind, expressed or implied. Statements of suggestions concerning possible use of our products are made without representation or warranty that any such use is free of patent infringement and are not recommendations to infringe any patent. The user should assume that all safety measures are indicated or that other measures may not be required. Specifications are typical and may not apply to all connectors.

For further information on your individual application requirements, contact: Amphenol Corporation

North America:
Amphenol Industrial Operations
180 N. Freeport Drive, Plant 4
Nogales, AZ 85621
Tel: (520) 285-5130
Fax: (520) 285-5134

Email: rpdrizzini@amphenol-aiio.com

Europe:
Amphenol Industrial Operations Europe
Via Barbaiana 5
1-20020 Lainate (MI) Italy
Tel: +39 02 93254.204
Fax: +39 02 93254.444

Email: info@amphenol-aiio.com

Middle East:
Amphenol Middle East Enterprises FZE
Postal: PO Box 21107, Aiman Free
Zone - UAE
Physical: Warehouse #C1-16, Aiman
Free Zone - UAE
Phone: +9 716-7422494
Fax: +9 716-7422941

Asia:
Amphenol Technology (Zhuhai) Co.,
LTD
No.63, Xin Han Rd., San Zao Town,
Jin Wan District
Zhuhai City, China 519040
Tel: +0756-3989760
Fax: +0756-3989768
www.amphenol-industrial.com